

Operation Manual

# Using Excelon<sup>®</sup> Plus Full Flow Porting Blocks



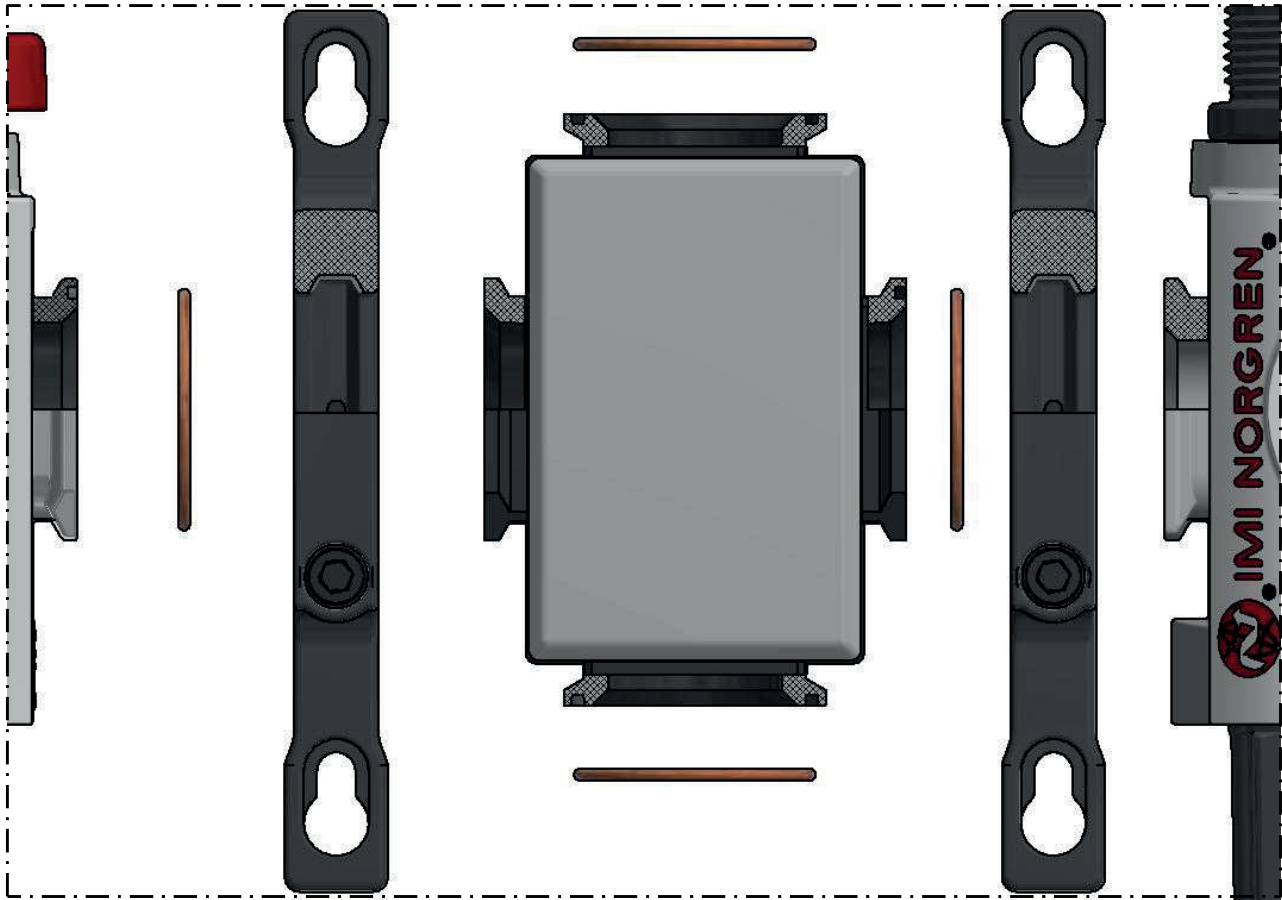
**Before starting work read these instructions.**

This manual contains proprietary information. No part of this publication may be reproduced, transcribed or transmitted in any form without the written consent of the publisher. Every effort has been made to ensure that the information contained in this manual is accurate. All rights reserved.

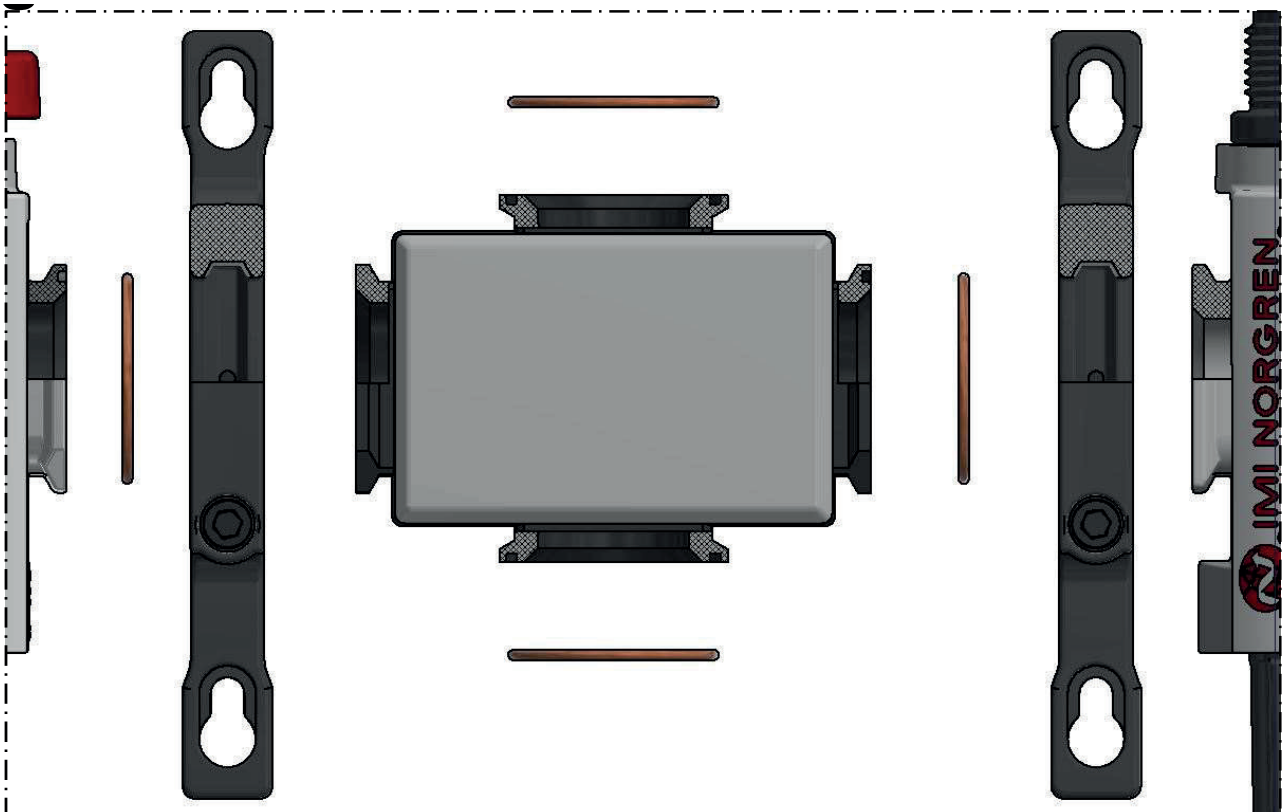
**Contents**

Using a 840028-68KIT or 840028-69KIT	3
Using a 840028-50KIT or 840028-53KIT	3

Using a 840028-68KIT or 840028-69KIT



Using a 840028-50KIT or 840028-53KIT



Norgren operates four global centres of technical excellence and a sales and service network in 50 countries, as well as manufacturing capability in Brazil, China, Czech Republic, Germany, India, Mexico UK and the USA.

For information on all Norgren companies visit

[www.norgren.com](http://www.norgren.com)

**Supported by distributors worldwide.**

For further information, scan this QR code or visit

[www.norgren.com](http://www.norgren.com)



Norgren, Buschjost, FAS, Herion, Kloehn, Maxseal and Thompson Valves are registered trademarks of Norgren companies.

Due to our policy of continuous development, Norgren reserve the right to change specifications without prior notice.

OM\_AL\_Excelon Plus\_Full Porting Block en/01/22

Selected Images used under license from Shutterstock.com

Incorporating



**IMI**